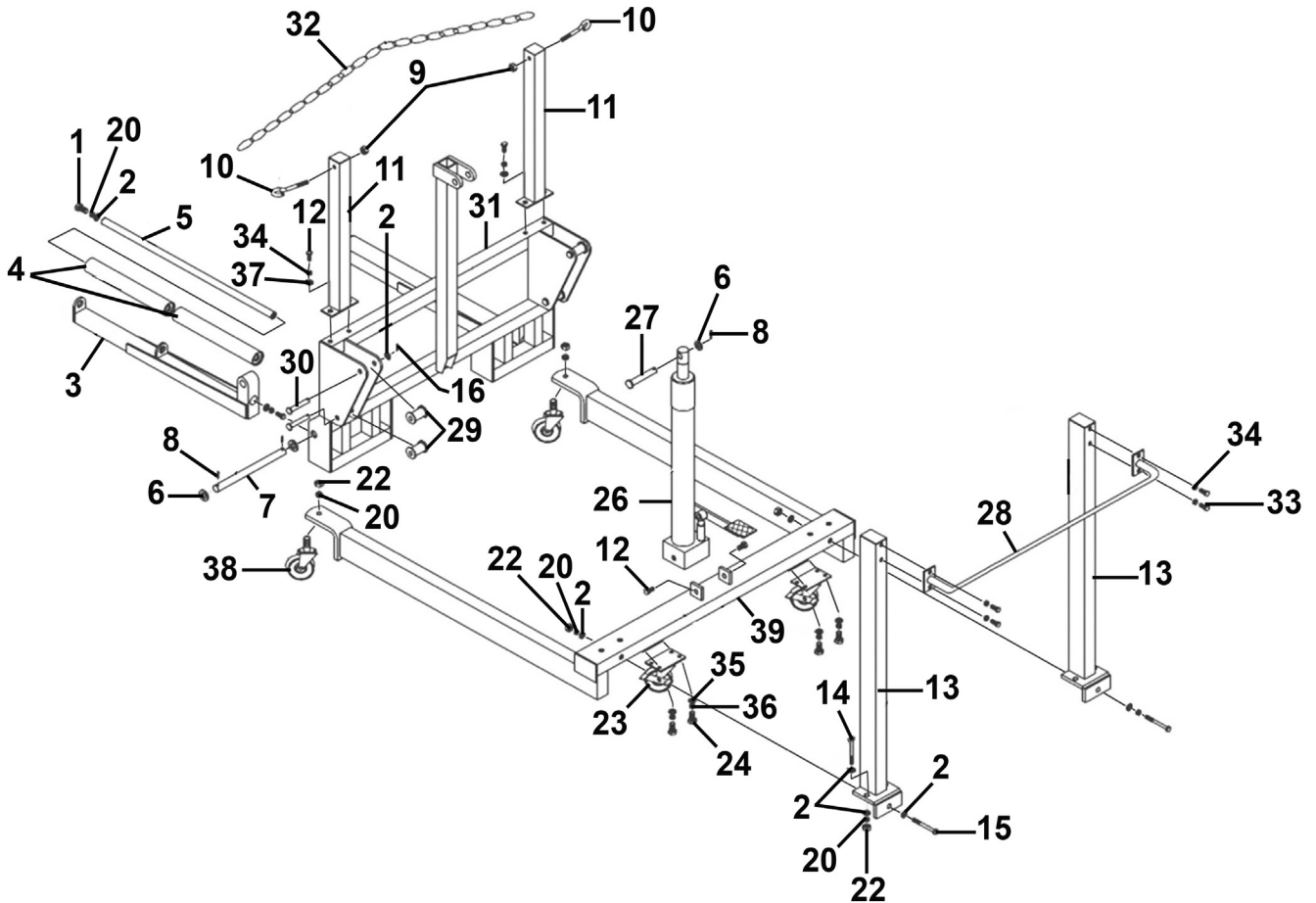


Parts Information:
**Wheel Removal Trolley with Adjustable
 Width 500kg Capacity
 Model No: W508TV3**



Item	Part No.	Description	Qty
1	W508TV2-01	Screw	2
2	W508TV2-02	Flat Washer	12
3	W508TV2-03	Support Beam	2
4	W508TV2-04	Rolling Tube	4
5	W508TV2-05	Axle	2
6	FWM20.S	Flat Washer M20	5
7	W508TV2-07	Axle	2
8	W508TV2-08	Cotter Pin 3 x 23	5
9	SN8.SW	Wing Nut M8	2
10	W508TV2-10	Hook	2
11	W508TV2-11	Column	2
12	W508TV2-12	Screw	6
13	W508TV2-13	Post	2
14	W508TV2-14	Bolt	4
15	W508TV2-15	Bolt	2
16	W508TV2-16	Cotter Pin 3 x 18	4
20	SWM12.S	Spring Washer M12	8
22	SCB1225.SB	Socket Cap Bolt M12 x 25mm Black	8

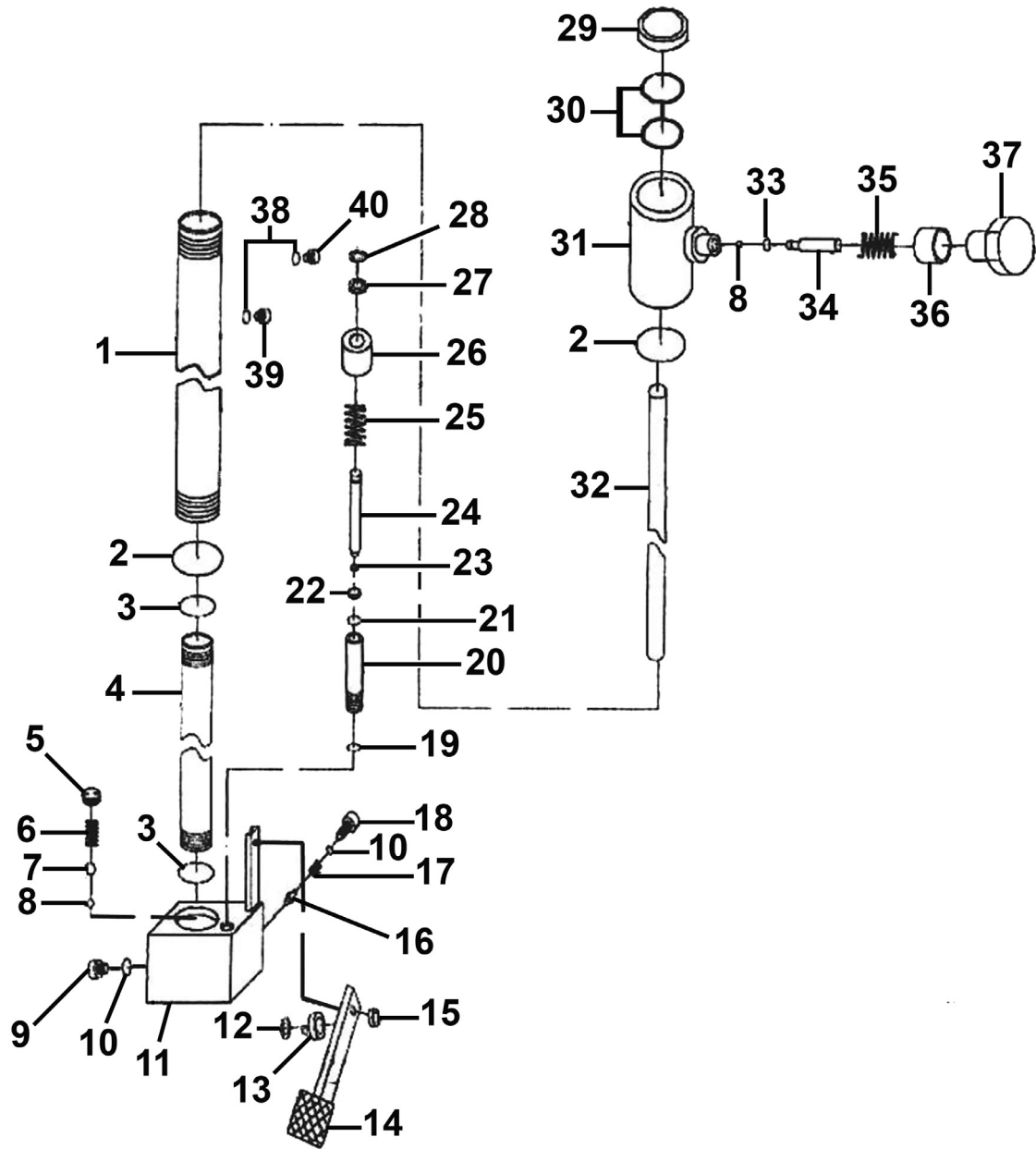
Item	Part No.	Description	Qty
23	W508TV3-23	Wheel , Swivel Castor W/Brake (D:100 W:30 B: 12 H: 125)	2
24	W508TV2-24	Screw	8
26	W508TV2-26	Hydraulic Jack	1
27	W508TV2-27	Pin	1
28	W508TV2-28	Handle	1
29	W508TV2-29	Roller Tube	4
30	W508TV2-30	Pin	4
31	W508TV2-31	Lifting Bracket	1
32	W508TV2-32	Safety Chain	1
33	W508TV2-33	Screw	4
34	W508TV2-34	Spring Washer	4
35	W508TV2-35	Washer	8
36	W508TV2-36	Spring Washer	8
37	W508TV2-37	Washer	4
38	W508TV2-38	Wheel,front swivel castor,single bolt (D:100 W:31 B:12 H:125)	2
39	W508TV2-39	Base Beam	1

NOTE: It is our policy to continually improve products and as such we reserve the right to alter data, specifications and component parts without prior notice. There may be alternative versions of this product, please contact us should you require this information.

IMPORTANT: No liability is accepted for incorrect use of product. Spare parts must be fitted by a competent person

WARRANTY: Guarantee is 12 months from purchase date, proof of which will be required for any claim.

Parts Information:
**Wheel Removal Trolley with Adjustable
 Width 500kg Capacity
 Model No: W508TV3**



Item	Part No.	Description	Qty
1	W508TV2-A01	Reservoir	1
2	W508TV2-A02	O-Ring	2
3	W508TV2-A03	O-Ring	2
4	W508TV2-A04	Cylinder	1
5	W508TV2-A05	Screw	1

Item	Part No.	Description	Qty
6	W508TV2-A06	Spring	1
7	W508TV2-A07	Steel Ball	1
8	W508TV2-A08	Steel Ball	2
9	W508TV2-A09	Screw	1
10	W508TV2-A10	O-Ring	2

NOTE: It is our policy to continually improve products and as such we reserve the right to alter data, specifications and component parts without prior notice. There may be alternative versions of this product, please contact us should you require this information.

IMPORTANT: No liability is accepted for incorrect use of product. Spare parts must be fitted by a competent person

WARRANTY: Guarantee is 12 months from purchase date, proof of which will be required for any claim.



Parts Information:
**Wheel Removal Trolley with Adjustable
Width 500kg Capacity
Model No: W508TV3**

Item	Part No.	Description	Qty
11	W508TV2-A11	Base	1
12	W508TV2-A12	Snap Ring	1
13	W508TV2-A13	Roller	1
14	W508TV2-A14	Foot Pedal	1
15	W508TV2-A15	Nut	1
16	W508TV2-A16	Valve Rod	1
17	W508TV2-A17	Adjustment Spring	1
18	W508TV2-A18	Screw	1
19	W508TV2-A19	O-Ring, (Ex: 19.18 In: 13.94 Cs: 2.62)	1
20	W508TV2-A20	Pump Cylinder	1
21	W508TV2-A21	O-Ring, (Ex: 17.80 In: 14 Cs: 1.90)	1
22	W508TV2-A22	Dust Seal	1
23	W508TV2-A23	Y-Seal	1
24	W508TV2-A24	Piston Rod	1
25	W508TV2-A25	Spring	1
26	W508TV2-A26	Dust Cover	1

Item	Part No.	Description	Qty
27	W508TV2-A27	Flat Washer	1
28	W508TV2-A28	Snap Ring	1
29	W508TV2-A29	Dust Seal	1
30	W508TV2-A30	O-Ring	2
31	W508TV2-A31	Cylinder Head	1
32	W508TV2-A32	Ram	1
33	W508TV2-A33	O-Ring	1
34	W508TV2-A34	Release Rod	1
35	W508TV2-A35	Spring	1
36	W508TV2-A36	Cover	1
37	W508TV2-A37	Knob	1
38	W508TV2-A38	O-Ring	2
39	W508TV2-A39	Air Vent Valve	1
40	W508TV2-A40	Screw	1

NOTE: It is our policy to continually improve products and as such we reserve the right to alter data, specifications and component parts without prior notice. There may be alternative versions of this product, please contact us should you require this information.

IMPORTANT: No liability is accepted for incorrect use of product. Spare parts must be fitted by a competent person

WARRANTY: Guarantee is 12 months from purchase date, proof of which will be required for any claim.

Jack Sealey Ltd t/a Sealey Group, Kempson Way, Suffolk Business Park, Bury St Edmunds, Suffolk, IP32 7AR UK

Jack Sealey (EU) Ltd t/a Sealey Group, Farney Street, Carrickmacross, Co. Monaghan, A81 PK68 Ireland

Tel: 01284 757500 • **Email:** sales@sealey.co.uk • **Web:** www.sealey.co.uk